

NSF ELECTRICAL UL 651

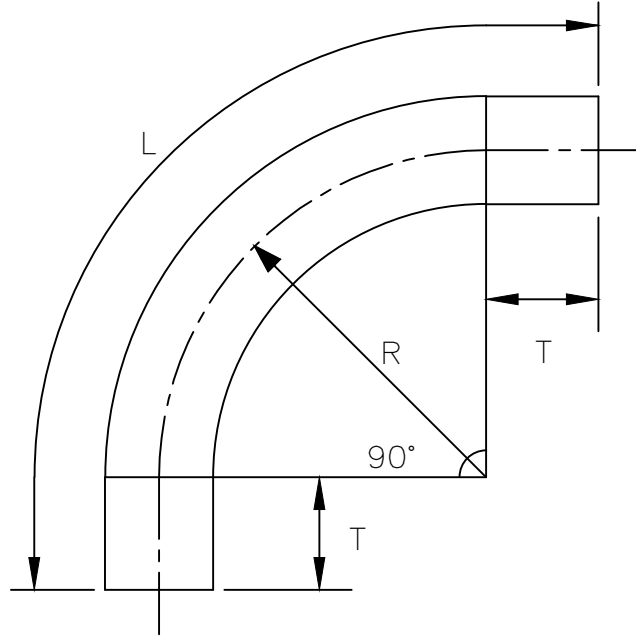
RIGID PVC CONDUIT
CONDUIT RIGIDE EN PVC

90° SCH40 BEND PE / 90° SCH40 COUDE BU

ISSUE DATE: 2020 05 27
DATE D'EMISSION:

SUPERSEDES: 2017 03 20
REPLACE:

LONG RADIUS/ LONG RAYON



CODE	Size Grosueur	L Ref.	R Ref.	T Ref.
~068789	103mm (4")	2226mm (87.63")	1219mm (48.0")	155mm (6.1")
~068791	129mm (5")	2375mm (93.5")	1219mm (48.0")	150mm (6")
~068792	155mm (6")	2286mm (90.0")	1219mm (48.0")	150mm (6")
~078937	155mm (6")	2698mm (106.2")	1524mm (60.0")	150mm (6")

KRALOY

~NSF APPROVED / APPROUVES

L- Length at center line / Longueur à la ligne centrale